

BRAUN

PurEase



Type FP301BI

Register your product
www.braunhousehold.com

FP 3233
FP 3235

English

2 - 8

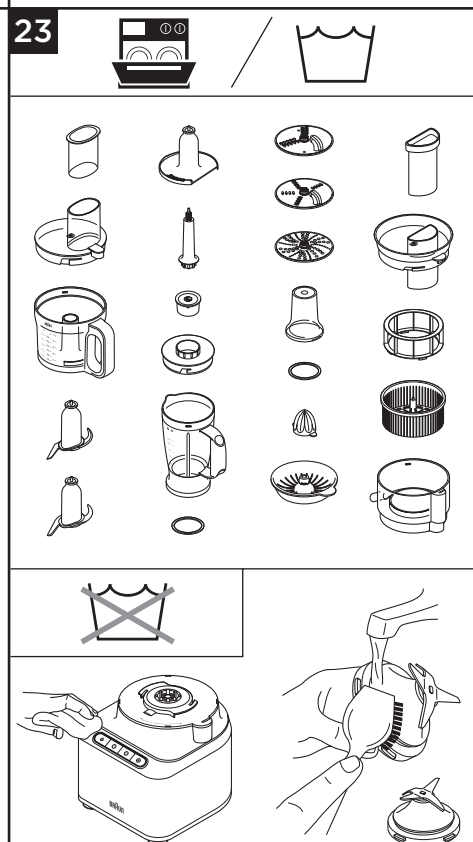
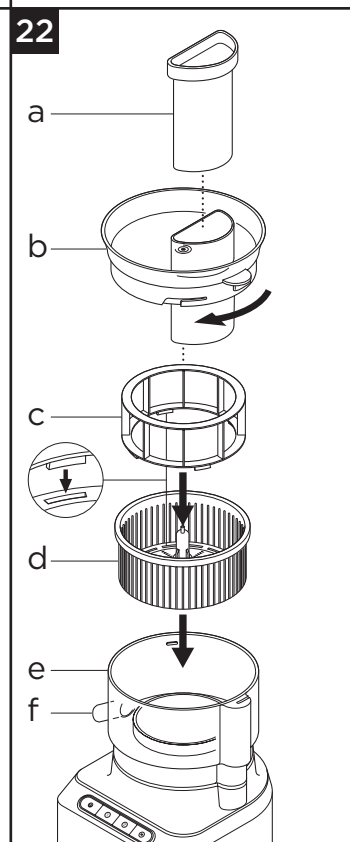
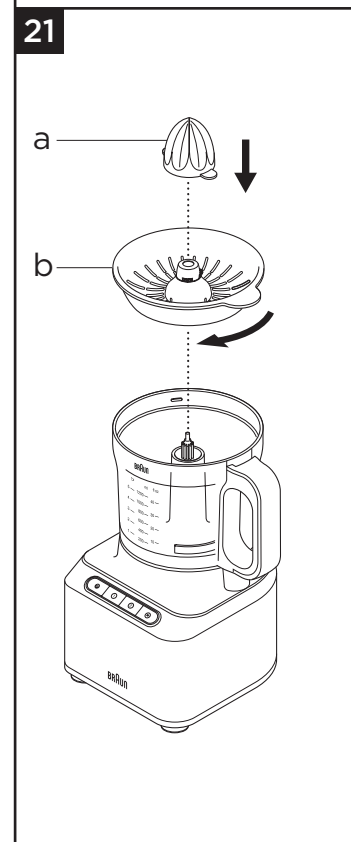
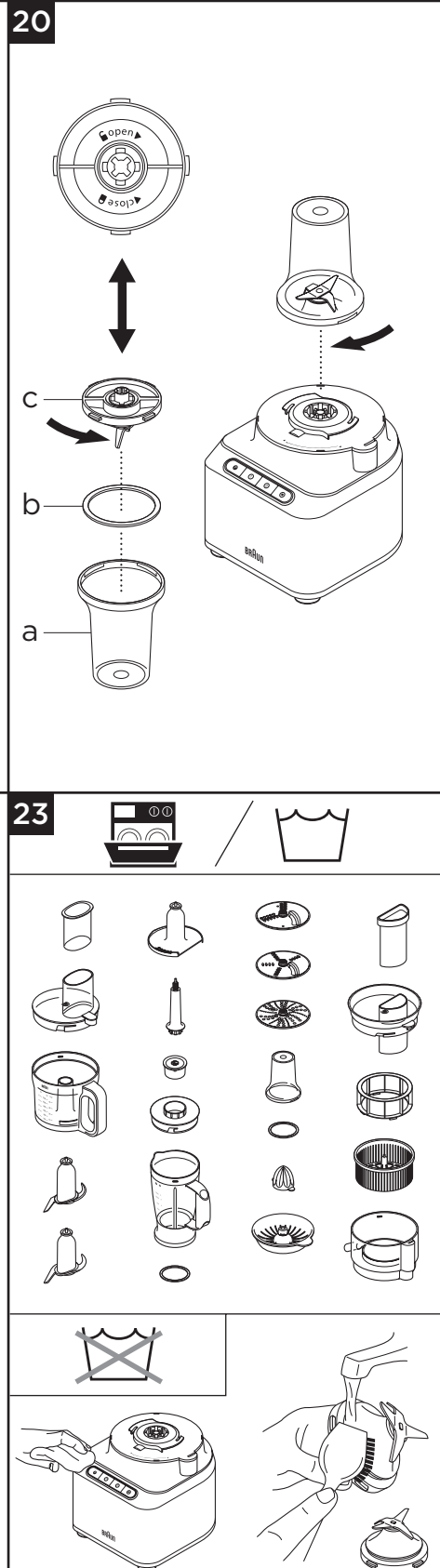
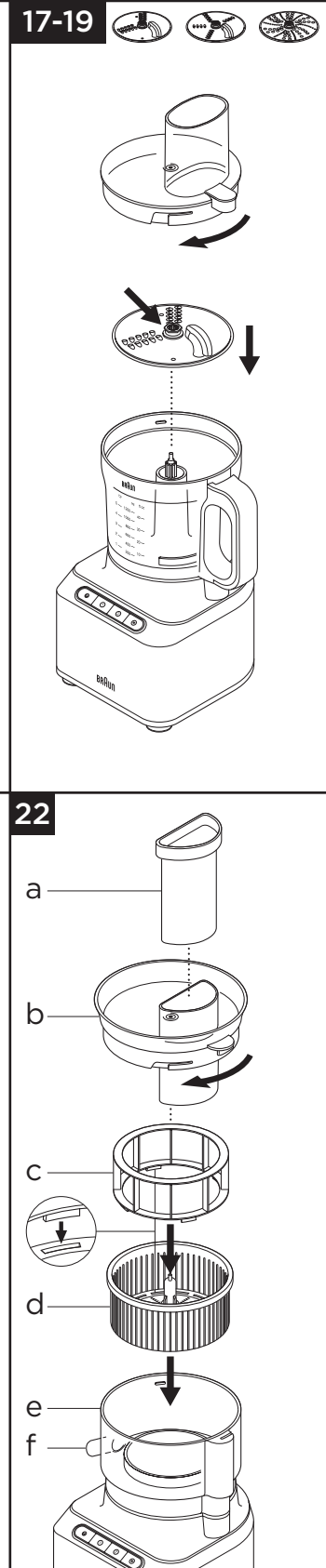
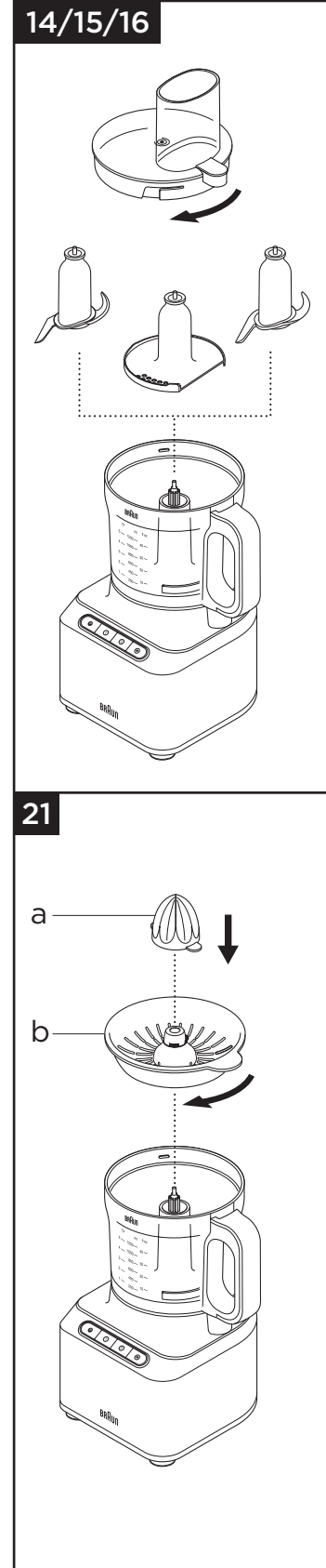
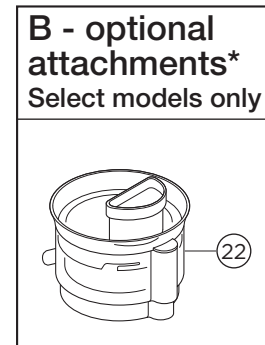
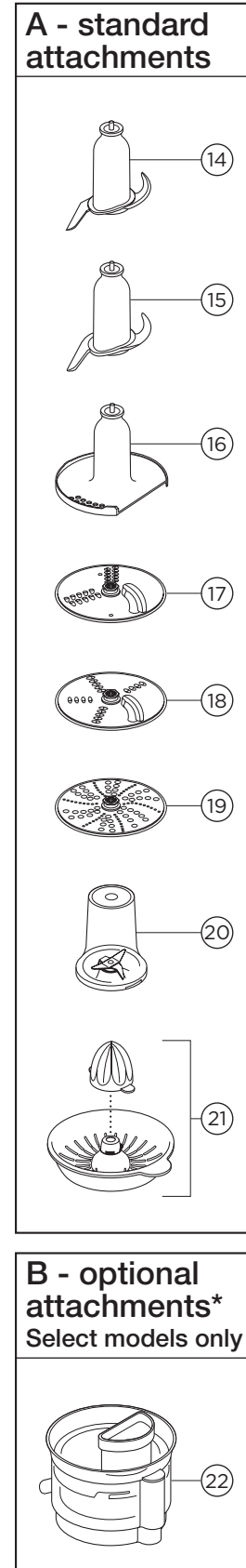
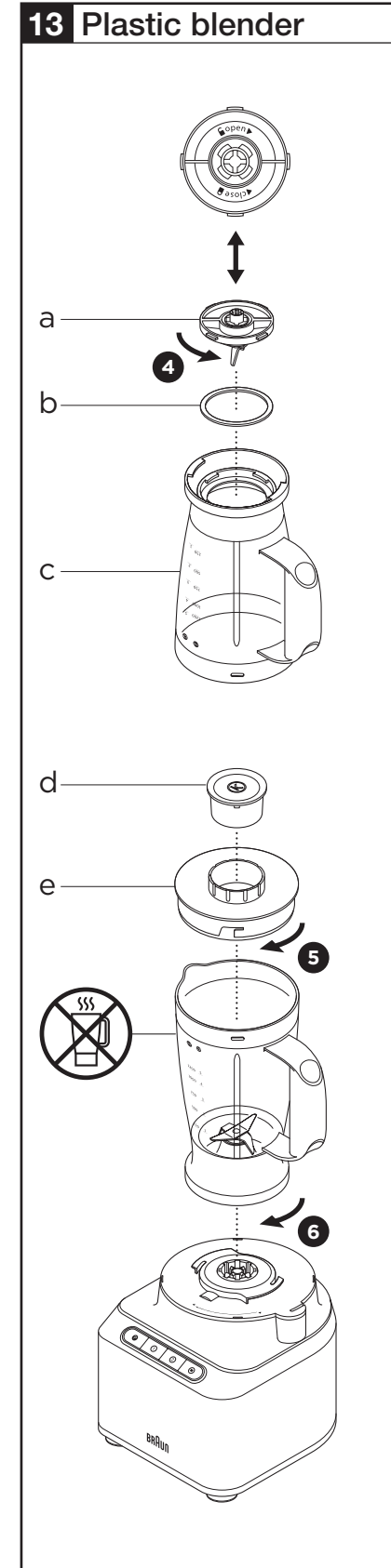
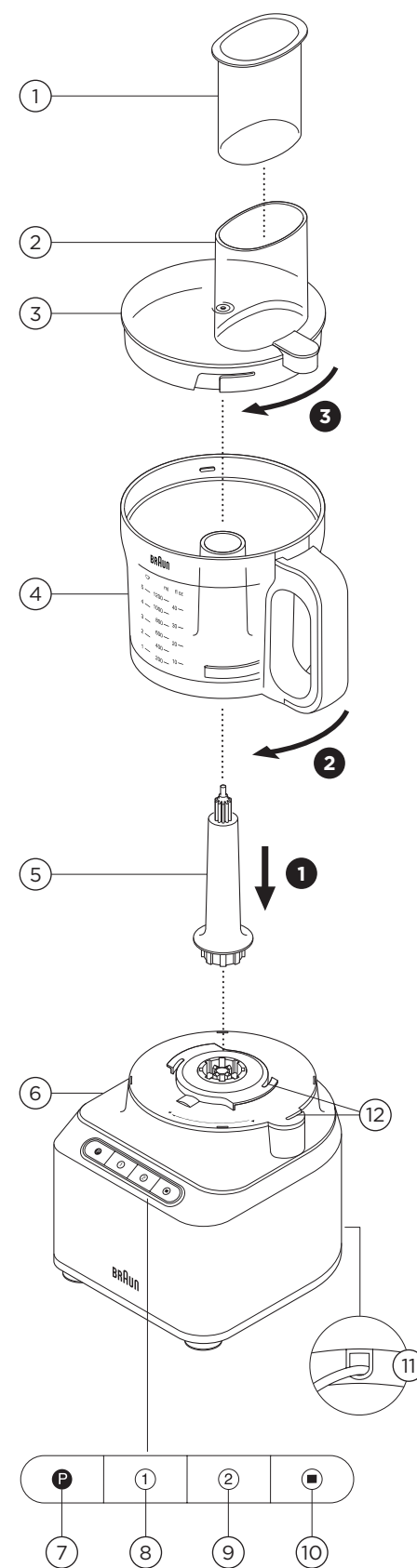
عربي

١٦ - ٩

De'Longhi Braun Household GmbH
Carl-Ulrich-Straße 4
63263 Neu-Isenburg/Germany

© Copyright 2020 All rights reserved





English

Safety

- Read these instructions carefully and retain for future reference.
- Remove all packaging and any labels.
- If the plug or cord is damaged it must, for safety reasons, be replaced by Braun or an authorised Braun repairer in order to avoid a hazard.
- **DO NOT touch the sharp blades.** The blender/mill assembly, knife blade and discs are very sharp, handle with care. **Always hold by the finger grip at the top, away from the cutting edge, both when handling and cleaning.**
- **DO NOT process hot ingredients.**
- **SCALD RISK:** Hot ingredients must be allowed to cool to room temperature before placing in the bowl, goblet, mill or before blending.
- Never leave the appliance unattended when it is operating.
- Do not exceed the maximum capacities stated in the recommended usage chart.
- **Do not operate your appliance for longer than the times specified below without a rest period. Processing continuously for longer periods can damage your appliance.**

Function/Attachment	Maximum Operation Time	Rest Period Between Operations
Blender	60 secs	Unplug the appliance and allow to cool down for 15 minutes
Heavy mixtures in the bowl (e.g. Dough)	60 secs	
Mini chopper/mill	30 secs	

- Do not lift or carry the processor by the handle - or the handle may break resulting in injury.
- Always remove the knife blade before pouring contents from the bowl.
- Keep hands and utensils out of the processor bowl and blender goblet whilst connected to the power supply.
- Switch off and unplug: before fitting or removing parts, when not in use and before cleaning.
- Never use your fingers to push food down the feed tube. Always use the pusher supplied.
- **Never fit the blade assembly to the power unit without the goblet or mill jar fitted.**
- Before removing the lid from the bowl, blender or mill from the power unit:
 - switch off;
 - wait until the attachment/blades have completely stopped;
 - be careful not to unscrew the blender goblet or mill jar from the blade assembly.
- Do not use the lid to operate the processor, always use the 'OFF' button.
- **This appliance will be damaged and may cause injury if the interlock mechanism is subjected to excessive force.**

- **Always unplug your food processor when not in use.**
- Never use an unauthorised attachment.
- Never use a damaged appliance. Get it checked or repaired: see 'service and customer care'.
- Never let the power unit, cord or plug get wet.
- Do not let excess cord hang over the edge of a table or worktop or touch hot surfaces.
- Children should be supervised to ensure that they do not play with the appliance.
- This appliance shall not be used by children. Keep the appliance and its cord out of reach of children.
- Appliances can be used by persons with reduced physical, sensory or mental capabilities or lack of experience and knowledge if they have been given supervision or instruction concerning use of the appliance in a safe way and if they understand the hazards involved.
- Only use the appliance for its intended domestic use. Braun will not accept any liability if the appliance is subject to improper use, or failure to comply with these instructions.
- Misuse of your processor, blender or mill can result in injury.
- The maximum rating is based on the attachment that draws the greatest load. Other attachments may draw less power.

Blender

- Only operate the blender with the lid in place.
- Only use the goblet with the blade assembly supplied.
- Never run the blender empty.
- Smoothie recipes - never blend frozen ingredients that have formed a solid mass during freezing, break it up before adding to the goblet.

Mini chopper/mill

- Never unscrew the jar while the mill is fitted to your appliance.
- Never remove the mill until the blades have completely stopped.
- The appliance will not work if the mill is incorrectly fitted.

Slicing/Grating Discs

- Never remove the lid until the cutting disc has completely stopped.

Juice extractor

- Do not use the juicer if the filter is damaged.
- The cutting blades on the base of the filter drum are very sharp, take care when handling and cleaning the drum.
- Only use the pusher supplied. Never put your fingers in the feed tube. Unplug before unblocking the feed tube.
- Before removing the lid, switch off and wait for the filter to stop.

Before plugging in

- Make sure your electricity supply is the same as the one shown on the underside of your appliance.

Important - Plug and Fuse Information

- The wires in the cord are coloured as follows:
Blue = Neutral, Brown = Live.
- If the plug supplied with your appliance has a fuse fitted it is rated 10A or 13A. If the fuse fails it must be replaced with one of the same rating.
- If the plug or cord requires replacing a new cord set should be fitted by an Authorised Braun Repairer.

Note:

- For non-rewireable plugs the fuse cover **MUST** be refitted when replacing the fuse. If the fuse cover is lost then the plug must not be used until a replacement can be obtained. The correct fuse cover is identified by colour and a replacement may be obtained from your Braun Authorised Repairer (see Service).
- If a non-rewireable plug is cut off it must be **DESTROYED IMMEDIATELY**. An electric shock hazard may arise if an unwanted non-rewireable plug is inadvertently inserted into a 13A socket outlet.
- This appliance conforms to EC Regulation 1935/2004 on materials and articles intended to come into contact with food.

Before using for the first time

- 1 Remove the plastic blade covers from the knife blade. **Take care the blades are very sharp.** These covers should be discarded as they are to protect the blade during manufacture and transit only.
- 2 Wash the parts see 'care and cleaning'.

Key

Processor

- ① Pusher
- ② Feed tube
- ③ Lid
- ④ Bowl
- ⑤ Detachable drive shaft
- ⑥ Power unit
- ⑦ Pulse button
- ⑧ Speed 1 button
- ⑨ Speed 2 button
- ⑩ OFF button
- ⑪ Cord storage (at back)
- ⑫ Safety interlocks
- ⑬ Plastic Blender (if supplied)
 - a Blade assembly
 - b Sealing ring
 - c Goblet
 - d Filler cap
 - e Lid

A Standard Attachments

- ⑭ Knife blade
- ⑮ Dough tool
- ⑯ Emulsifying tool
- ⑰ 4mm slicing/grating disc
- ⑱ 2mm slicing/grating disc
- ⑲ Extra fine grating disc
- ⑳ Mini chopper/mill (if supplied)
- ㉑ Citrus juicer (if supplied)

B Optional Attachments (FP3235SI only)

- ㉒ Juice extractor

To Use Your Food Processor

Illustrations ① – ③

- 1 Fit the detachable drive shaft onto the power unit.
- 2 Then fit the bowl to the power unit and turn clockwise until it locks into position.
- 3 Fit an attachment over the bowl drive shaft.
 - Always fit the bowl and attachment onto the processor before adding ingredients.
- 4 Fit the lid - ensuring the top of the drive shaft/tool locates into the centre of the lid.
- 5 Plug in, switch on and select a speed. (Refer to the recommended usage chart).
 - **The processor will not operate if the bowl or lid are not fitted correctly into the interlock. Check that the feed tube and bowl handle are situated to the right hand side.**
 - Use the pulse (P) for short bursts. The pulse will operate for as long as the button is held in position.
- 6 Reverse the above procedure to remove the lid, attachments and bowl.

Important

- Your processor is not suitable for crushing or grinding coffee beans, or converting granulated sugar to caster sugar.
- When adding almond essence or flavouring to mixtures avoid contact with the plastic as this may result in permanent marking.

Using The Attachments

Refer to recommended usage chart for each attachment.

13 Plastic Blender

To Use Your Blender

Illustrations ④ – ⑥

- 1 Fit the sealing ring into the blade assembly - ensuring the seal is located correctly in the grooved area.
 - **Leaking will occur if the seal is damaged or incorrectly fitted.**
- 2 Hold the underside of the blade assembly and insert the blades into the goblet - turn anti-clockwise until it is secure. Refer to the graphics on the underside of the blade assembly as follows:
 - 🔓 - Unlocked position
 - 🔒 - Locked position

- 3 Put your ingredients into the goblet.
- 4 Fit the lid onto the goblet and turn clockwise until it clicks. Fit the filler cap.
- 5 Fit the blender to the power unit and turn clockwise to lock in position.

Hints and Tips

- When making mayonnaise, put all the ingredients, except the oil, into the blender. Remove the filler cap. Then, with the appliance running, add the oil slowly through the hole in the lid.
- Thick mixtures, e.g. pâtés and dips, may need scraping down. If the mixture is difficult to process, add more liquid.
- The processing of spices is not recommended as they may damage the plastic parts.
- To blend dry ingredients - cut into pieces, remove the filler cap, then with the appliance running, drop the pieces down one by one. Keep your hand over the opening. For best results empty regularly.

14 Knife Blade

Follow the instructions under 'To use your food processor'.

Hints and Tips

- For coarser textures use the pulse control.
- Cut food such as meat, bread, vegetables into cubes approximately 2cm.
- Biscuits should be broken into pieces and added down the feed tube whilst the appliance is running.
- Take care not to over-process.
- When making pastry use fat straight from the fridge cut into 2cm cubes.

15 Dough Tool

Use for yeasted dough mixes.

Follow the instructions under 'To use your food processor'.

Hints and Tips

- Do not process for longer than 60 seconds.
- Place the dry ingredients in the bowl and add the liquid down the feed tube whilst the appliance is running. Process until a smooth elastic ball of dough is formed.
- Re-knead by hand only. Re-kneading in the bowl is not recommended as it may cause the processor to become unstable.

16 Emulsifying Tool

Follow the instructions under 'to use your food processor'.

Use for light mixtures only e.g. cream, mayonnaise.

Hints and Tips

- Ensure the bowl and tool are clean and free from grease before use.

17 – 19 Discs

To Use The Cutting Discs






- 1 Fit the drive shaft and bowl onto the power unit.
- 2 Holding by the centre grip, place the disc onto the drive shaft with the appropriate side uppermost.
- 3 Fit the lid.
- 4 Put the food in the feed tube.
- 5 Switch on and push down evenly with the pusher - never put your fingers in the feed tube.

Hints and Tips

- Use fresh ingredients
- Do not cut food too small. Fill the width of the feed tube fairly full. This prevents the food from slipping sideways during processing.
- When slicing or grating: food placed upright comes out shorter than food placed horizontally.
- There will always be a small amount of waste on the disc or in the bowl after processing.

20 Mini chopper/mill (if supplied)

- a Jar
- b Sealing ring
- c Blade assembly

- 1 Put the ingredients into the jar.
- 2 Fit the sealing ring into the blade assembly.
- 3 Turn the blade assembly upside down. Lower it into the jar, blades down.
- 4 Screw the blade assembly onto the jar until finger tight. Refer to the graphics on the underside of the blade assembly as follows:
 -  - Unlocked position
 -  - Locked position
- 5 Place the mill onto the power unit, align the  on the mill with the  on the power unit and turn clockwise to lock .
- 6 Select Maximum speed or use the pulse (P).

Hints and Tips

- Baby food/purée - allow cooked food to cool down to room temperature before processing in the mill.
- For best results the main bowl is recommended when chopping herbs.

21 Citrus Juicer (if supplied)

- a Cone
- b Sieve

To use the citrus juicer

- 1 Fit the drive shaft and bowl onto the power unit.
- 2 Fit the sieve into the bowl - ensuring the sieve handle is locked into position directly over the bowl handle.
- 3 Place the cone over the drive shaft turning until it drops all the way down.
- 4 Cut the fruit in half. Then switch on and press the fruit onto the cone.

Hints and Tips

- For best results store and juice the fruit at room temperature and hand roll on a worktop before juicing.
- To help with juice extraction move the fruit from side to side when juicing.
- When juicing large quantities, empty the sieve regularly to prevent the build up of pulp and seeds.

22 Juice extractor (if supplied)

Use the juice extractor for making juice from firm fruit and vegetables.

- a Pusher
- b Juicer lid
- c Pulp remover
- d Filter drum
- e Bowl
- f Juicing spout

To use the juice extractor

- 1 Fit the juicer bowl to the power unit, turn clockwise until it locks - the spout should be situated to the left side. when the bowl is fitted correctly.
 - 2 Place the pulp remover into the filter drum - ensuring the tabs locate with the slots in the bottom of the drum.
 - 3 Fit the filter drum
 - 4 Fit the attachment lid - turn clockwise until it locks. **Your juicer will not operate if the bowl or lid are not fitted correctly into the interlock .**
 - 5 Place a suitable glass or jug under the juice outlet.
 - 6 Cut the food to fit the feed tube.
 - 7 Switch on and push down evenly with the pusher - never put your fingers in the feed tube. Process fully before adding more.
- After adding the last piece, let the juicer run for a further 30 seconds to extract all the juice from the filter drum.

Service and Customer Care

- If you experience any problems with the operation of your appliance, before requesting assistance refer to the 'Troubleshooting Guide' section in the manual or visit www.braunhousehold.com.
- Warranty & Service - for detailed information see separate warranty and service leaflet or visit www.braunhousehold.com.
- Made in China.



IMPORTANT INFORMATION FOR CORRECT DISPOSAL OF THE PRODUCT IN ACCORDANCE WITH THE EUROPEAN DIRECTIVE ON WASTE ELECTRICAL AND ELECTRONIC EQUIPMENT (WEEE)

At the end of its working life, the product must not be disposed of as urban waste. It must be taken to a special local authority differentiated waste collection centre or to a dealer providing this service.

important

- If the juicer starts to vibrate, switch off and empty the pulp from the drum. (The juicer vibrates if the pulp becomes unevenly distributed).
- Maximum capacity that can be processed at one time is 600g of fruit or vegetables.
- Some very hard foods may make your juicer slow down or stop. If this happens switch off and unblock the filter.
- Switch off and clear the pulp collector regularly during use.

Hints and Tips

- Before processing remove stones and pips (eg pepper, melon, plum) and tough skins (e.g. melon, pineapple). You do not need to peel or core apples and pears.
- Use firm, fresh fruit and vegetables.

Care and Cleaning

- Always switch off and unplug before cleaning.
- **Handle the blender/mill blade assembly, knife blade and discs with care - they are extremely sharp.**
- Some foods may discolour the plastic. This is perfectly normal and will not harm the plastic or affect the flavour of your food. Rub with a cloth dipped in vegetable oil to remove the discolouration.

Power Unit

- Wipe with a damp cloth, then dry. Ensure that the interlock area is clear of food debris.
- Do not immerse the power unit in water.
- Store excess cord in the storage area at the back of the power unit (11).





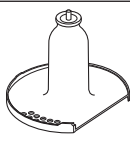

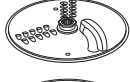



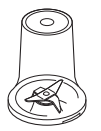

Refer to illustration **23** for cleaning instruction of the tools and attachments

Recommended Usage Chart

Do not operate your appliance for longer than the times specified below without a rest period. Processing continuously for longer periods can damage your appliance.

Processing information supplied is for guidance only and will vary depending on the exact recipe and ingredients being processed.





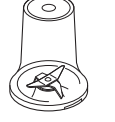


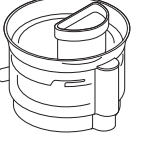
Do not process hot ingredients

Tool/ Attachment	Function		 (Secs)		
	All in one cake mixes	2	10	1.2kg total weight	
	Pastry - rubbing fat into flour	2	10	300g flour weight	
	Adding water to combine pastry ingredients	1 – 2	10 – 20		
	Chopping fish and lean meat	2	10 – 30	400g max lean beef	
	Pâtés and terrines				
	Chopping vegetables	Pulse	5 – 10	100 - 500g	
	Chopping nuts	2	30 – 60	100g – 200g	
	Herbs	2	20 – 30	30-50g	
	Pureeing soft fruit, cooked fruit and vegetables	2	10 – 30	500g	
	Whipping cream (Processing times may vary, depending on fat content of cream)	2	60 – 120	250ml	
	Mayonnaise	2	60 – 80	4 egg yolks	
		Yeasted mixes	2	60	340g flour weight 550g total weight
	 	Grating and slicing firm food items - cheese, carrots, potatoes and foods of a similar texture	2	–	Do not fill above the maximum 1.2L marked on the bowl
Slicing softer food items - cucumbers and tomatoes		1	–		
Grates Parmesan cheese		2	–		
	Use to squeeze the juice from citrus fruits e.g. oranges, lemons, limes and grapefruits.	1	–	–	
	Cold liquids and drinks (Add ice/frozen ingredients to goblet last)	2	30 – 60	1.2 litre	
	Milkshake/Cold milk based mixtures	2	15 – 30	1 litre	
	Ice crushing	Pulse	30 – 40	6 ice cubes (125g)	
	Batter mix (Add liquid ingredients first)	1 ↓ 2	10 ↓ 50	1 litre	
	Nuts	2	10 – 30	50g	
	Coffee beans	2	30	50g	
	Uncooked meat (beef steak) cut into 2cm cubes	Pulse	5	50g	
	Fruit and vegetables	2	–	600g	

Troubleshooting Guide		
Problem	Cause	Solution
The processor will not operate.	No Power. Bowl not fitted to power unit correctly. Bowl lid not locked on correctly.	Check processor is plugged in. Check that the feed tube and bowl handle are situated to the right hand side. Check that the lid interlock is located correctly into the handle area. The processor will not work if the bowl and lid are fitted incorrectly.
Blender or mill will not operate	Blender or mill not locked on correctly. Blender or mill not assembled correctly.	Blender or mill will not operate if fitted incorrectly to the interlock. Check blade assembly is fully tightened into the goblet/jar
Processor stops during processing	Processor overloaded/maximum capacities exceeded. Lid unlocked.	Check maximum capacities stated in the recommended usage chart. Check lid is locked correctly.
Blender, or mini chopper/mill leaking from blade assembly base.	Seal missing Seal incorrectly fitted Seal damaged.	Check seal is fitted correctly and not damaged. To obtain a replacement seal see 'service and customer care'.
Poor performance of tools/ attachments	Refer to hints in relevant 'using the attachment' section. Check attachments are assembled correctly.	

جدول توصيات الاستخدام

لا تستخدمى الجهاز لأزمنة أطول من تلك الموضحة أدناه دون السماح بفترات الراحة. استمرارية معالجة المزيد من المكونات لفترة زمنية أطول قد يتسبب في تلف الجهاز.
معلومات المعالجة الموضحة هي إرشادية فقط، حيث تختلف الأزمنة والسرعات المستخدمة حسب الوصفة والمكونات المستخدمة.
لا تستخدمى مكونات ساخنة أثناء التحضير

الأداة/الملحق	الوظيفة		 (ثانية)	
	السوائل والمشروبات الباردة (أضيفي الثلج/ المكونات المجمدة إلى الدورق كآخر مكونات)	٢	٦٠ - ٣٠	١,٢ لتر
	الحليب المخفوق/الخلطات المستندة إلى حليب بارد	٢	٣٠ - ١٥	١ لتر
	جرش الثلج	تشغيل نبضي	٤٠ - ٣٠	٦ مكعبات ثلج (١٢٠ غرام)
	خليط المخفوقات (أضيفي المكونات السائلة أولاً)			١ لتر
	المكسرات	٢	٣٠ - ١٠	٥٠ غرام
	حبوب القهوة	٢	٣٠	٥٠ غرام
	قطع اللحم غير المطهية (ستيك بقري)، قطعها إلى مكعبات بطول ٢,٥ سم	P	٥	٥٠ غرام
	الفواكه والخضروات	٢	-	٦٠٠ غرام

دليل اكتشاف المشكلات وحلها

المشكلة	السبب	الحل
جهاز تحضير الطعام لا يعمل.	الجهاز غير موصل بمصدر تيار كهربائي. السلطانية غير مركبة على وحدة الطاقة (الموتور) بشكل صحيح. غطاء السلطانية غير مركب بشكل صحيح.	تحقق من السلك الكهربائي وأنه موصل بمنفذ التيار الكهربائي. تأكد من توجيه أنبوب التغذية ومقبض السلطانية إلى الجانب الأيمن للجهاز. تأكد من تعشيق الغطاء العلوي بشكل صحيح في منطقة المقبض. لن يعمل جهاز تحضير الطعام في حالة تركيب السلطانية والغطاء العلوي بشكل غير صحيح.
المازج أو المطحنة لا تعمل	المازج أو المطحنة غير مركبين بشكل صحيح. لم يتم تركيب المازج أو المطحنة بالطريقة الصحيحة.	لن يعمل المازج أو المطحنة في حالة التركيب بشكل غير صحيح في موضع تعشيق القفل. تأكد من ربط وحدة الشفرات بإحكام في الدورق/وعاء الطحن
توقف جهاز تحضير الطعام أثناء التشغيل.	تجاوز حد التحميل لجهاز تحضير الطعام/تجاوز السعات القصوى تم فتح الغطاء العلوي.	تحقق من السعات القصوى الموصى بها والمحددة في جدول السرعات. تأكد من قفل الغطاء العلوي بشكل صحيح.
هناك تسرب في المازج أو المفرمة/المطحنة الصغيرة من قاعدة وحدة الشفرات.	حلقة الإحكام غير مركبة. حلقة الإحكام غير مركبة في موضعها جيداً. حلقة الإحكام تالفة.	تحقق من تركيب حلقة الإحكام في موضعها الصحيح وبطريقة صحيحة وأنها غير تالفة. للحصول على حلقة إحكام لاستبدال الحلقة التالفة. راجعي قسم الصيانة ورعاية العملاء
لا تعمل الأدوات/الملحقات بشكل جيد.	راجعي التلميحات المتعلقة بكل أداة أو ملحق في قسم (استخدام الملحق). تأكد من تركيب الملحقات بشكل صحيح.	

جدول توصيات الاستخدام

لا تستخدمى الجهاز لأزمنة أطول من تلك الموضحة أدناه دون السماح بفترات الراحة. استمرارية معالجة المزيد من المكونات لفترة زمنية أطول قد يتسبب في تلف الجهاز.
معلومات المعالجة الموضحة هي إرشادية فقط، حيث تختلف الأزمنة والسرعات المستخدمة حسب الوصفة والمكونات المستخدمة.
لا تستخدمى مكونات ساخنة أثناء التحضير

الأداة/الملحق	الوظيفة		 (ثانية)		
	خلطات الكعكات الجاهزة	٢	١٠	الوزن الإجمالي ١,٢ كغم	
	المعجنات - خلط السمن مع الدقيق إضافة الماء لمزج مكونات المعجنات	٢ - ١	١٠ - ٢٠	وزن الدقيق ٢٠٠ غرام	
	فرم الأسماك واللحوم العجائن الهشة وأرغفة اللحم	٢	١٠ - ٢٠	٤٠٠ غرام لحم بقري طري	
	فرم الخضراوات	تشغيل نبضي	١٠ - ٥	١٠٠ - ٥٠٠ غرام	
	فرم المكسرات	٢	٢٠ - ٦٠	١٠٠ - ٢٠٠ غرام	
	الأعشاب	٢	٢٠ - ٢٠	٣٠ - ٥٠ غرام	
	المايونيز	٢	٦٠ - ٨٠	٤ صفار بيض	
	هرس الفواكه اللينة والفواكه والخضروات المطهية	٢	١٠ - ٣٠	٥٠٠ غرام	
		القشدة المخفوقة (تختلف أزمنة المعالجة وفقاً لدرجة الدهون في القشدة)	٢	٦٠ - ١٢٠	٢٥٠ مل
		المايونيز	٢	٦٠ - ٨٠	٤ صفار بيض
	الخلطات المخمرة	٢	٦٠	وزن الدقيق ٢٤٠ غرام الوزن الإجمالي ٥٥٠ غرام	
	بشر وتقطع المكونات الغذائية الصلبة - الجبن والجزر والبطاطس والأغذية التي لها نفس ذلك القوام. تقطع المكونات الغذائية اللينة إلى شرائح - الخيار والطماطم	٢	-	لا تتجاوزي السعة القصوى المشار إليها على السلطانية وهي ١,٢ لتر	
		١	-		
بشر جبن البارميزان	٢	-			
	استخدمى العصارة لتحضير العصير من الموالح، مثل البرتقال والليمون والليمون الحمضي والجريب فروت.	١	-	-	

العناية والتنظيف

- أوقف دائماً تشغيل الجهاز وافصله عن مصدر التيار الكهربائي قبل التنظيف.
- تعامل مع مجموعة شفرات المازج/المطحنة وسكين التقطيع وأسطح التقطيع بحذر شديد - حيث أنها حادة جداً.
- قد تؤثر بعض الاغذية على لون البلاستيك. هذا امر طبيعي تماماً ولا يضر بالبلاستيك او يؤثر على نكهة الطعام. امسح البلاستيك بقماش مغموس في زيت نباتي لإزالة تغيير اللون.

وحدة الطاقة (الموتور)

- تمسح بقطعة قماش رطبة، ثم تجفف. تأكد من خلو منطقة الترابط من بقايا الطعام.
- لا تقومي بغمر وحدة الطاقة في الماء.
- قومي بلف السلك الزائد في مكان تخزين السلك أسفل وحدة الطاقة (11).

راجع الشكل التوضيحي 23 لمعرفة تفاصيل حول تعليمات تنظيف الأدوات والملحقات.

الصيانة ورعاية العملاء

- في حالة مواجهة أية مشكلة متعلقة بتشغيل الجهاز، قبل الاتصال لطلب المساعدة، يرجى مراجعة قسم "دليل اكتشاف المشكلات وحلها" في الدليل أو زيارة موقع الويب www.braunhousehold.com.
- الضمان والخدمة - لمزيد من المعلومات، يرجى مراجعة دليل الضمان والخدمة المنفصل أو زيارة موقع الويب www.braunhousehold.com.
- صنع في الصين.



معلومات هامة هو الكيفية الصحيحة للتخلص من المنتج وفقاً لتوجيهات الاتحاد الأوروبي المتعلقة بنفايات المعدات الكهربائية والإلكترونية (WEEE)

في نهاية العمر التشغيلي للجهاز، يجب عدم التخلص من الجهاز في نفايات المناطق الحضرية. بل يجب أخذه إلى مركز تجميع خاص بجهة محلية متخصصة في التخلص من هذه النفايات أو إلى تاجر يقدم هذه الخدمة.

تلميحات ونصائح

- للحصول على أفضل النتائج، خزني الفاكهة واعصرها في درجة حرارة الغرفة، أيضاً لينني الفاكهة قبل عصرها عن طريق درجتها على سطح منضدة العمل مع الضغط عليها براحة كفك.
- للمساعدة في استخلاص العصير، حركي الفاكهة من جانب لآخر أثناء العصر.
- عند عصر كمية كبيرة من الفاكهة، أفرغي المصفاة بانتظام لتجنب تراكم لب ويزور الفاكهة.

22 عصارة الفواكه والخضروات (في حالة توفيرها)

استخدمي عصارة الفواكه والخضروات لصنع العصير من الفواكه والخضروات الصلبة.

- a أداة الدفع
- b غطاء العصارة
- c مزيل اللب
- d اسطوانة المرشح
- e الوعاء
- f صنوبر العصير

لاستخدام عصارة الفواكه والخضروات

- ١ ركبِي وعاء العصارة في وحدة الطاقة، ولفيه في اتجاه عقارب الساعة إلى أن يستقر في موضعه - يجب أن يكون الصنوبر في الجهة اليسرى عند تركيب الوعاء بشكل صحيح.
- ٢ ضعي مزيل اللب في اسطوانة المرشح - مع ضمان دخول الأسننة في الفتحات أسفل الاسطوانة.
- ٣ ركبِي اسطوانة المرشح
- ٤ ركبِي الغطاء المرفق عن طريق لفه في اتجاه عقارب الساعة إلى أن يستقر في موضعه. لن تعمل العصارة في حالة عدم تركيب الوعاء أو الغطاء بشكل صحيح في قفل التعشيق.
- ٥ ضعي كوباً أو إبريقاً مناسباً تحت منفذ العصير.
- ٦ اقطعي الطعام بحيث يناسب أنبوب الإدخال.
- ٧ شغلي العصارة وأدفعي باستمرار بشكل متساو باستخدام أداة الدفع - لا تضعي أصابعك أبداً في أنبوب الإدخال. تأكدي من معالجة الطعام بالكامل قبل إضافة المزيد.
- بعد إضافة القطعة الأخيرة، اتركي العصارة تعمل لمدة ٣٠ ثانية إضافية لإخراج كل العصير من اسطوانة المرشح.

مهم

- إذا بدأت العصارة في الاهتزاز، أوقفني تشغيلها وأفرغي اللب من الاسطوانة. (تهتز العصارة إذا أصبح اللب موزعاً بشكل غير متساو).
- السعة القصوى التي يمكن معالجتها في وقت واحد هي ٦٠٠ جرام من الفواكه أو الخضروات.
- بعض الأطعمة شديدة الصلابة قد تسبب بطء العصارة أو توقفها. إذا حدث ذلك، أوقفني تشغيل العصارة وأزيلي الانسداد من المرشح.
- أوقفني تشغيل العصارة ونظفي وعاء جمع اللب بانتظام أثناء الاستخدام.

تلميحات ونصائح

- قبل المعالجة، أزيلي النوى والبذور (مثل الفلفل، الشمام، البرقوق) والقشرة الصلبة (مثل البطيخ، الأناناس). لا يلزم تقشير أو إزالة قلب التفاح والكمثرى.
- استخدمي الفواكه والخضروات الطازجة المتماسكة.

تلميحات ونصائح

- استخدمي مكونات طازجة.
- لا تقطعي الطعام إلى قطع صغيرة جداً. اجعلي عرض (مقطع) أنبوب التغذية ممتلئاً بشكل متساو. يحول ذلك دون انزلاق الطعام على الجوانب أثناء تحضير الطعام.
- الطعام الموضوع بشكل رأسي يخرج قصيراً عن الطعام الموضوع بشكل أفقي.
- تبقى هناك دائماً كمية صغيرة من الفضلات على سطح التقطيع أو في السلطانية بعد تحضير الطعام.

20 المفرمة / المطحنة الصغيرة (في حالة التزويد

داخل صندوق البيع)

- (a) الوعاء
- (b) حلقة الإحكام
- (c) وحدة الشفرات

- ١ ضعي المكونات في وعاء الطحن.
 - ٢ ركبِي حلقة الإحكام في وحدة الشفرات
 - ٣ اقلبي وحدة الشفرات. ضعيها داخل الوعاء بحيث يكون اتجاه الشفرات لأسفل.
 - ٤ اربطي وحدة الشفرات في الوعاء بإحكام باستخدام أصابعك. راجعي الرسوم التوضيحية الموجودة على الجانب السفلي لمجموعة وحدة الشفرات وهي كالتالي:
- 🔒 = موضع الفتح
🔒 = موضع القفل
- ٥ ضعي المطحنة على وحدة الطاقة (الموتور) ثم حاذي العلامة 📏 الموجودة على المطحنة مع العلامة 📏 الموجودة على وحدة الطاقة (الموتور) ثم لفي المطحنة في اتجاه عقارب الساعة حتى تستقر في موضع القفل 📏.
 - ٦ حددي السرعة القصوى أو استخدمي وظيفة التشغيل النبضي (P).

تلميحات ونصائح

- غذاء الرضع/المهروسات - اتركي الأطعمة المطهية لتبرد في درجة حرارة الغرفة قبل معالجتها في المطحنة.
- للحصول على أفضل النتائج ننصحك باستخدام السلطانية الأساسية عند فرم الأعشاب.

21 عصارة الموالح (في حالة التزويد داخل صندوق البيع)

- (a) مخروط العصر
- (b) المصفاة

استخدام عصارة الموالح

- ١ ركبِي محور الدوران والسلطانية في وحدة الطاقة (الموتور).
- ٢ ركبِي المصفاة في السلطانية - تأكدي من استقرار مقبض المصفاة في مواضعه مباشرة على مقبض السلطانية.
- ٣ ركبِي مخروط العصر على محور الدوران وأديره حتى يستقر تماماً في القاع.
- ٤ قطعي ثمار الفواكه إلى نصفين. ثم شغلي الجهاز واضغطي الفاكهة على مخروط العصر.

استخدام جهاز تحضير الطعام

الرسم التوضيحي 1 - 3

- ١ ركبى محور الدوران في وحدة الطاقة (الموتور).
- ٢ ضعي السلطانية على وحدة الطاقة (الموتور) ولفيها في اتجاه عقارب الساعة إلى أن تستقر في موضع التعشيق.
- ٣ ركبى الملحق على محور الدوران الموجود في السلطانية.
- ٤ ركبى دائماً السلطانية والملحق في جهاز تحضير الطعام قبل إضافة المكونات.
- ٥ ركبى الغطاء العلوي - مع التأكد من استقرار الجزء العلوي من محور الدوران/الأداة في مركز الغطاء العلوي.
- ٥ وصلي الجهاز مع مصدر التيار الكهربائي ثم شغلي الجهاز وحددي السرعة المطلوبة. (راجعى جدول توصيات الاستخدام).
- ٦ لن يعمل جهاز تحضير الطعام في حالة تركيب السلطانية أو الغطاء العلوي بطريقة غير صحيحة في موضع تعشيق القفل. تأكدى من توجيه أنبوب التغذية ومقبض السلطانية إلى الجانب الأيمن للجهاز.
- ٦ استخدمى مفتاح وضع التشغيل النبضي (P) للتشغيل لفترات قصيرة. يعمل وضع التشغيل النبضي طوال فترة الضغط على مفتاح التحكم.
- ٦ اتبعى الخطوات السابقة بترتيب معكوس لإزالة الغطاء العلوي، الملحقات والسلطانية.

ملاحظة هامة

- جهاز تحضير الطعام غير ملائم لطحن حبوب القهوة أو تحويل حبيبات السكر إلى سكر بودرة.
- عند إضافة روح أو نكهة اللون للخلطات، تجنبى ملامسته مع البلاستيك حيث قد يؤدي ذلك إلى ترك علامات مستديمة على البلاستيك.

استخدام الملحقات

راجعى جدول توصيات الاستخدام لمعرفة تفاصيل استخدام كل ملحق.

13 المازج البلاستيكي

استخدام المازج

الرسم التوضيحي 4 - 6

- ١ ركبى حلقة الإحكام على وحدة الشفرات - مع التأكد من استقرار حلقة الإحكام في موضعها بشكل صحيح داخل التجويف.
- ٢ إذا كانت حلقة الإحكام تالفة أو غير محكمة بشكل صحيح فسوف يحدث تسريباً.
- ٢ أمسكي الجانب السفلي لوحدة الشفرات وركبى الشفرات داخل الدورق - ثم لفيها في اتجاه عكس عقارب الساعة لإحكام القفل. راجعى الرسوم التوضيحية الموجودة على الجانب السفلي لمجموعة وحدة الشفرات وهي كالتالي:

🔒 = موضع الفتح

🔒 = موضع القفل

- ٣ ضعي المكونات داخل الدورق.
- ٤ ركبى الغطاء العلوي على الدورق ولفيه في اتجاه عقارب الساعة حتى إحكام القفل. ركبى غطاء فتحة التعبئة.
- ٥ ركبى المازج على وحدة الطاقة (الموتور) ثم لفي في اتجاه عقارب الساعة إلى أن يستقر في موضع التعشيق.

تلميحات ونصائح

- عند تحضير المايونيز، ضعي كل المكونات في المسيل عدا الزيت. أزيلى غطاء فتحة التعبئة، ثم صبي الزيت بطريقة بطيئة من خلال الفتحة الموجودة في الغطاء العلوي أثناء تشغيل الجهاز.
- قد تحتاج الخلطات السميكة مثل المعجنات الهشة والمغموسات إلى تقطيع. إذا وجدت صعوبة في تحضيرها، أضيفى المزيد من السوائل.

- غير منصوح بطحن التوابل فقد تؤدي إلى إحداث أضرار بالأجزاء البلاستيكية.
- لمزج مكونات جافة - قطعها إلى أجزاء صغيرة ثم أزيلى غطاء فتحة التعبئة وأسقطها قطعة تلو الأخرى أثناء تشغيل الجهاز. أبق يدك فوق الفتحة. للحصول على أفضل النتائج أفرغى المحتويات بشكل منتظم.

14 سكين التقطيع

اتبعى التعليمات الواردة في قسم "استخدام جهاز تحضير الطعام".

تلميحات ونصائح

- للحصول على قوام خشن، استخدمى وضع التشغيل النبضي.
- قطعي الطعام مثل اللحم، الخبز، الخضراوات إلى مكعبات بطول ٢ سم.
- يجب تكسير البسكويت إلى قطع صغيرة وإضافته عن طريق غطاء أنبوب التغذية أثناء تشغيل الجهاز.
- توخى الحذر حتى لا تتجاوزى الفترة المطلوبة لتحضير الطعام.
- عند تحضير المعجنات استخدمى الدهون مباشرة من المجمد مع تقطيعها في صورة مكعبات بحجم تقريبي ٢ سم.

15 أداة العجين

تستخدم مع خلطات العجين المخمرة.

اتبعى التعليمات الواردة في قسم "استخدام جهاز تحضير الطعام".

تلميحات ونصائح

- لا تعالجي الفواكه لفترة أطول من ٦٠ ثانية.
- ضعي المكونات الصلبة في السلطانية وأضيفى السائل عن طريق غطاء فتحة التعبئة أثناء تشغيل الجهاز. استمري في التشغيل حتى تكون كرات لدنة من العجين.
- أعيدى العجن بيدك فقط. غير منصوح بإعادة العجن في السلطانية حيث قد يؤدي ذلك إلى عدم استقرار جهاز تحضير الطعام.

16 أداة تحضير المستحلب

اتبعى التعليمات الواردة في قسم "استخدام جهاز تحضير الطعام".

تستخدم مع الخلطات الخفيفة فقط على سبيل المثال القشدة والمايونيز.

تلميحات ونصائح

- تأكدى من نظافة السلطانية والأداة وعدم وجود أي دهون قبل الاستخدام.

الأقراص 17 - 19

استخدام أقراص التقطيع

- ١ كربي محور الدوران والسلطانية في وحدة الطاقة (الموتور).
- ٢ أمسكي قرص التقطيع من المقبض المركزي ثم ضعي القرص على محور الدوران مع توجيه السطح الملائم لأعلى.
- ٣ ركبى الغطاء العلوي.
- ٤ أدخلى الطعام من خلال أنبوب التغذية.
- ٥ شغلي الجهاز مع دفع الطعام بالتساوي بواسطة عصا دفع المكونات - احذري وضع أصابعك داخل فتحة أنبوب التغذية.

أقراص التقطيع/البشر

- يحذر إزالة الغطاء العلوي قبل توقف أقراص التقطيع تماماً.

عصارة الفواكه والخضروات

- لا تستخدم العصارة في حالة تلف المرشح.
- شفرات القطع الموجودة على قاعدة أسطوانة المرشح حادة جداً. لذا توخي الحذر عند التعامل مع الاسطوانة وتنظيفها.
- لا تستخدمى إلا أداة الدفع المرفقة مع العصارة. لا تضعي أصابعك أبداً في أنبوب الإدخال. انزعي القابس الكهربائي قبل فك أنبوب الإدخال.
- قبل إزالة الغطاء، أوقفي التشغيل وانتظري إلى أن يتوقف المرشح.

قبل توصيل الجهاز بمصدر التيار الكهربى

- تأكدي من تماثل مواصفات مصدر التيار الكهربى لديك مع المواصفات الموضحة على الجانب السفلي للجهاز.

هام - المقبس والمنصهر الكهربى

- اللون الأسلاك الموجودة في السلك الكهربى هي كالتالي:
أزرق = متعادل
- بني = كهرباء حية
- في حالة تزويد المقبس الخاص بالجهاز بواسطة منصهر كهربى، فإن قدرة المنصهر الكهربى تكون ١٠ أمبير أو ١٣ أمبير. في حالة تلف المنصهر الكهربى، يجب استبداله بأخر مماثل له بنفس المواصفات.
- في حالة الحاجة إلى استبدال المقبس أو السلك الكهربى، فيجب استبدالهما وتركيبهما من قبل مركز صيانة متخصص معتمد لدى Braun.

ملاحظة:

- بالنسبة إلى المقابس غير القابلة لإعادة تركيب الأسلاك الجديدة بها، يجب إعادة تثبيت غطاء المنصهر الكهربى عند استبداله. في حالة فقد غطاء المنصهر الكهربى، يجب عدم استخدام المقبس إلا أن يتم الحصول على بديل. يتم تحديد غطاء المنصهر الكهربى الصحيح حسب اللون ويمكن الحصول على بديل من مركز صيانة متخصص معتمد لدى Braun (يرجى مراجعة قسم الخدمة).
- إذا تم قطع مقبس غير قابل لإعادة تركيب الأسلاك الجديدة به، فيجب تدميره على الفور. قد ينشأ خطر حدوث صدمة كهربائية إذا تم إدخال مقبس غير قابل لإعادة تركيب الأسلاك الجديدة به غير مرغوب فيه عن غير قصد في قابس مأخذ كهربى ١٣ أمبير.
- يتوافق هذا الجهاز مع تنظيمات الاتحاد الأوروبى 2004/1935 المتعلقة بالمواد والأجسام المتلامسة مع الأطعمة.

13 المازج البلاستيكي

- a مجموعة الشفرات
- b حلقة إحكام الإغلاق
- c الدورق
- d فتحة التعبئة
- e الغطاء العلوي

A - ملحقات قياسية

- 14 شفرة السكين
- 15 أداة العجن
- 16 أداة تحضير المستحلب
- 17 قرص التقطيع الرفيع/التقطيع الطولي (البشر) ٤ مم
- 18 قرص التقطيع الرفيع/التقطيع الطولي (البشر) ٢ مم
- 19 قرص التقطيع الطولي (البشر) / الناعم
- 20 المفرمة / المطحنة الصغيرة (في حالة التزويد داخل صندوق البيع)
- 21 عصارة موالح (في حالة التزويد داخل صندوق البيع)

B - ملحقات اختيارية (FP3235SI فقط)

- 22 عصارة الفواكه والخضروات

قبل الاستعمال للمرة الاولى

- ١ أزيلى أغطية النصل البلاستيكية عن سكين التقطيع. توخي الحذر فسكين التقطيع حاد جداً. يجب التخلص من هذه الأغطية حيث أنها مزودة لحماية سكين التقطيع أثناء التصنيع والنقل.
- ٢ اغسلي الأجزاء "راجعى قسم الرعاية والتنظيف".

مفتاح الرموز

جهاز تحضير الطعام

- 1 عصا دفع الطعام
- 2 انبوب التغذية
- 3 الغطاء العلوي
- 4 السلطانية
- 5 محور دوران
- 6 وحدة الطاقة (الموتور)
- 7 زر التشغيل النبضي
- 8 زر السرعة 1
- 9 زر السرعة 2
- 10 زر OFF (إيقاف)
- 11 مخزن السلك (في الخلف)
- 12 أقفال الأمان

- قبل إزالة الغطاء العلوي عن السلطانية أو المازج أو المطحنة الاستخدامات عن وحدة الطاقة (الموتور):
 - أوقف تشغيل الجهاز؛
 - انتظري حتى توقف الملحقات/الشفرات تماماً عن الحركة؛
 - توخي الحذر حتى لا ينفصل دورق المازج أو وعاء الطحن عن وحدة الشفرات.
- لا تستخدمى الغطاء العلوي لتشغيل جهاز تحضير الطعام، استخدمى دائماً زر التحكم OFF (إيقاف).
- سيتلف الجهاز وقد تحدث إصابات في حالة تعرض آلية التعشيق لقوة مفرطة.
- افصلي دائماً جهاز تحضير الطعام عن مصدر التيار الكهربى في حالة عدم استخدامه.
- يحذر استخدام أي ملحقات غير معتمدة.
- يحذر استخدام الجهاز في حالة تلفه. في مثل هذه الحالة، يجب فحص الجهاز أو إصلاحه: راجعي قسم «الصيانة ورعاية العملاء».
- يحذر تعرض وحدة الطاقة أو السلك الكهربى أو قابس التوصيل للماء.
- لا تسمحي بتدلي السلك الكهربى الزائد عن طاولة العمل ولا تسمحي له أيضاً بالتلامس مع أسطح ساخنة .
- يجب الإشراف على الأطفال للتأكد من عدم عبثهم بالجهاز.
- لا يجوز استخدام هذا الجهاز من قبل الأطفال. احتفظي بالجهاز والسلك الكهربى بعيداً عن متناول الأطفال.
- يمكن استخدام الأجهزة من قبل أشخاص ذوي قدرات جسدية أو حسية أو عقلية منخفضة وممن هم دون خبرة أو معرفة باستخدام الأجهزة في حالة منحهم التعليمات الخاصة بالاستخدام أو الإشراف عليهم بحيث يمكنهم استخدامه بطريقة آمنة مع إدراك المخاطر التي تنطوي على استخدام الجهاز.
- استخدمى الجهاز فقط في الاستخدامات المنزلية المخصص لها. لن تتحمل شركة Braun أية مسؤولية في حالة استخدام الجهاز بطريقة غير صحيحة أو عدم الامتثال للتعليمات المذكورة.
- قد يؤدي سوء استخدام جهاز تحضير الطعام أو المازج أو المطحنة إلى حدوث إصابات.
- تعتمد السعة القصوى على الملحق المستخدم والذي يستمد حمل أكبر. بعض من الملحقات الأخرى قد تستمد حمل أقل.

المازج

- يجب تشغيل المازج فقط مع تركيب الغطاء العلوي في موضعه.
- استخدمى الدورق فقط مع وحدة الشفرات المزودة.
- يحذر تشغيل المازج فارغاً.
- بالنسبة لوصفات المشروبات المخفوقة ذات الرغوة - لا تمزجي المكونات المجمدة التي تحولت إلى كتلة صلبة أثناء التجميد، ولكن هشميها إلى أجزاء قبل إضافتها إلى الدورق.

المفرمة / المطحنة الصغيرة

- يحذر فك وعاء الطحن عن المطحنة أثناء تركيبها في الجهاز.
- يحذر إزالة المطحنة قبل توقف الشفرات عن الدوران تماماً.
- لن يعمل الجهاز في حالة تركيب المطحنة بشكل غير صحيح.

لامتك

- اقرئي التعليمات التالية واحتفظي بها في المتناول للاستخدامات المستقبلية المرجعية.
- أزيلتي مكونات التغليف وأية ملصقات.
- في حالة تلف السلك الكهربائي أو القابس، يجب استبداله لأسباب متعلقة بالسلامة بواسطة Braun أو مركز خدمة معتمد من قبل Braun.
- لا تلمسي الشفرات الحادة. سكين التقطيع وأسطح التقطيع الخاصة بالمازج/المطحنة حادة جداً، لذلك توخي بالغ الحذر عند التعامل معها.
- امسكي دائماً نصل السكين بقبضة الإصبع من الجزء العلوي بعيداً عن حافة التقطيع، سواء عند الاستخدام أو التنظيف.
- لا تستخدمى مكونات ساخنة أثناء التحضير.
- **مخاطر التعرض لحروق:** يجب ترك المكونات الساخنة حتى تبرد وتصبح في درجة حرارة الغرفة قبل إضافتها إلى السلطانية أو الدورق أو المطحنة قبل المزج.
- لا تتركي الجهاز دون ملاحظة أثناء تشغيله.
- لا تتجاوزي السعات القصوى الموصى بها والمحددة في جدول الاستخدام.
- لا تستخدمى الجهاز لأزمنة أطول من تلك الموضحة أدناه دون السماح بفترات الراحة. استمرارية معالجة المزيد من المكونات لفترة زمنية أطول قد يتسبب في تلف الجهاز.

الوظيفة/الملحق	الحد الأقصى لزمان التشغيل	فترات الراحة بين مرات التشغيل
المازج	٦٠ ثانية	
خلطات ثقيلة في السلطانية (على سبيل المثال، العجين)	٦٠ ثانية	افصلي الجهاز عن مصدر التيار الكهربائي واترايه ليبرد لمدة ١٥ دقيقة
المفرمة / المطحنة الصغيرة	٣٠ ثانية	

- لا تقومي برفع أو حمل جهاز تحضير الطعام من المقبض - حيث قد ينكسر المقبض مما ينتج عنه حدوث إصابات.
- أزيلتي سكين التقطيع دائماً قبل صب المحتويات من السلطانية.
- أبقى على يديك وأدوات المطبخ خارج السلطانية ودورق المازج أثناء التوصيل مع مصدر التيار الكهربائي.
- أوقفى التشغيل وافصلي الجهاز عن مصدر التيار الكهربائي: قبل تركيب أو إزالة الأجزاء، في حالة عدم الاستخدام وقبل التنظيف.
- لا تستخدمى أصابعك لدفع الطعام خلال أنبوب التغذية. استخدمى دائماً عصا دفع المكونات المزودة.
- لا تركيبى وحدة الشفرات على وحدة الطاقة (الموتور) بدون تركيب الدورق أو وعاء الطحن.